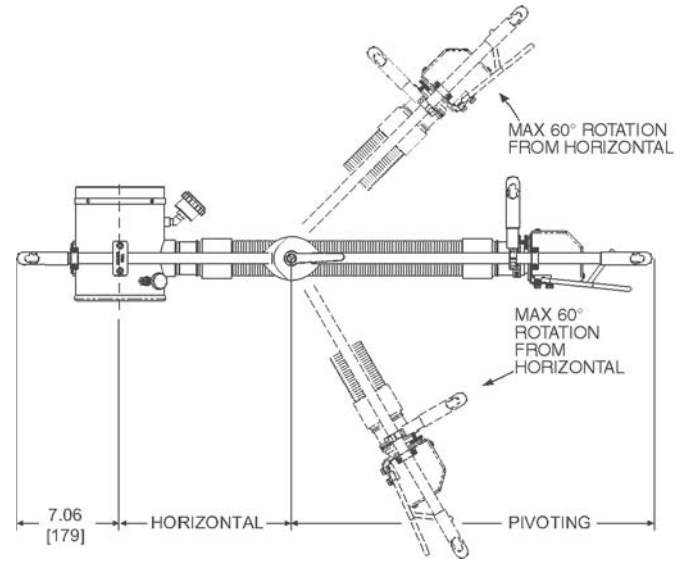
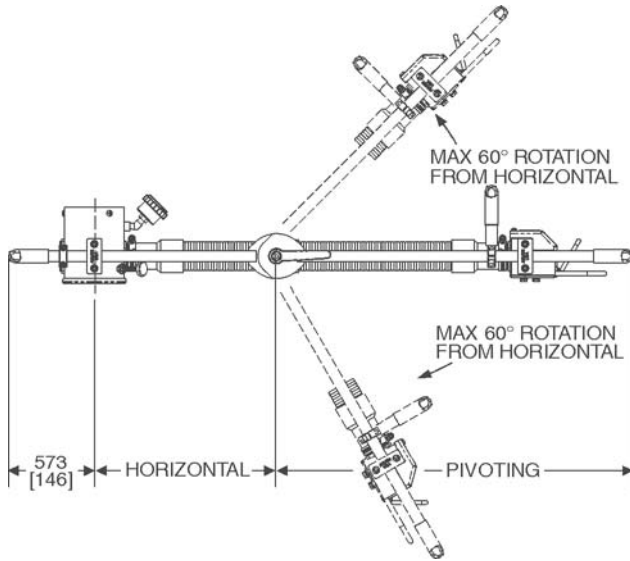


The length of the standard handle (VTMFHA/VTSFHA) is adequate in most situations. However, for special handling situations, you may want to use an extended or pivoting handle for operator safety and convenience. For extra wide loads, select a longer horizontal section of the handle. For reaching near the floor or for high stack heights, select a longer pivoting section. Extended handles are available for mini and standard control heads.

Fixed extended handles are available in various lengths and all articulating extended handles rotate approximately 60° upwards/downward. The stationary horizontal length ranges from 12" to 30"; the pivoting length ranges from 18" to 36", each with 6" increments.



For Micro/Mini Control Heads - VT140 & Smaller

Model Number	Horizontal [in. (mm)]	Pivoting [in. (mm)]
*VTMFHA	13 (330)	N/A
VTMFHA-20	20 (508)	N/A
VTMFHA-25	25 (635)	N/A
VTMFHA-30	30 (762)	N/A
VTMFHA-36	36 (914)	N/A
VTMAHA-12/18	12 (305)	18 (457)
VTMAHA-12/24	12 (305)	24 (610)
VTMAHA-12/30	12 (305)	30 (762)
**VTMAHA-12/36	12 (305)	36 (914)
VTMAHA-18/18	18 (457)	18 (457)
VTMAHA-18/24	18 (457)	24 (610)
**VTMAHA-18/30	18 (457)	30 (762)
**VTMAHA-18/36	18 (457)	36 (914)
VTMAHA-24/18	24 (610)	18 (457)
**VTMAHA-24/24	24 (610)	24 (610)
**VTMAHA-24/30	24 (610)	30 (762)
**VTMAHA-24/36	24 (610)	36 (914)
**VTMAHA-30/18	30 (762)	18 (457)
**VTMAHA-30/24	30 (762)	24 (610)
**VTMAHA-30/30	30 (762)	30 (762)
**VTMAHA-30/36	30 (762)	36 (914)

* VTMFHA/VTSFHA control handle is provided if no handle is specified.

** These handles require a tool balancer. Consult Anver for details.

*** Special order

Note: Other custom lengths are available. Contact Anver for additional information.

For Standard Control Heads - VT160 & Larger

Model Number	Horizontal [in. (mm)]	Pivoting [in. (mm)]
*VTSFHA	14 (356)	N/A
VTSFHA-20	20 (508)	N/A
VTSFHA-25	25 (635)	N/A
VTSFHA-30	30 (762)	N/A
VTSFHA-36	36 (914)	N/A
***VTSFHA-48	48 (1219)	N/A
***VTSFHA-60	60 (1524)	N/A
V TSAHA-12/18	12 (305)	18 (457)
V TSAHA-12/24	12 (305)	24 (610)
V TSAHA-12/30	12 (305)	30 (762)
**V TSAHA-12/36	12 (305)	36 (914)
V TSAHA-18/18	18 (457)	18 (457)
V TSAHA-18/24	18 (457)	24 (610)
**V TSAHA-18/30	18 (457)	30 (762)
**V TSAHA-18/36	18 (457)	36 (914)
V TSAHA-24/18	24 (610)	18 (457)
V TSAHA-24/24	24 (610)	24 (610)
**V TSAHA-24/30	24 (610)	30 (762)
**V TSAHA-24/36	24 (610)	36 (914)
V TSAHA-30/18	30 (762)	18 (457)
**V TSAHA-30/24	30 (762)	24 (610)
**V TSAHA-30/30	30 (762)	30 (762)
**V TSAHA-30/36	30 (762)	36 (914)